

Aluminium Windows



Aluminium Windows

Aluminium windows not only enhance the aesthetic appeal of any property with their sleek design but also optimise performance, ensuring efficiency and durability.

Our window features a super-slim sash that provides minimal sightlines, maximising scenic views while surpassing building standards and securing the new PAS24:2022 certification.

The aluminium window system is designed to seamlessly co-ordinate with our full range of aluminium products to compliment one another effortlessly.

Why choose aluminium?

- ✓ Aluminium is highly durable and more hard-wearing than other materials on the market. You'll be able to enjoy your aluminium windows for decades to come due to their high resistance to the elements.
- ✓ It is also an incredibly strong material, providing a high level of security and impact resistance.
- ✓ Aluminium windows are among the best-insulated on the market thanks to advanced thermal break technology, which prevents cold transfer.
- ✓ They also require very little maintenance to ensure optimal performance and a fresh appearance.



Picture Perfect Windows For Every Style Of Home

Upgrade your home with versatile aluminium windows that are built to last and designed to perform.

Available in either our standard 73mm profile or our new 81mm flush profile, the windows are custom-made to specific requirements, ensuring the perfect fit so your windows last for many years to come. The window elevates aesthetics and enhances kerb appeal by achieving minimal sightlines and a contemporary look.

Whether you're looking to transform a home by replacing existing windows, finding the perfect solution to our made-to-measure aluminium windows can be designed to suit even the most exacting requirements for your new extension or even completing a full house installation.

The casement windows are ideal for all styles of property, whether modern or traditional and can be customised with various glazing and colour options to suit the project's unique character and charm.

High Performing Aluminium Windows

- Multiple glazing options*
- Heritage, flush & standard window options
- Excellent thermal performance- U-values as low as 1.4 W/m²K
- Energy rated A (WER) as standard
- Side hung / top hung / fixed light options available
- Perfectly complements our other aluminium solutions

High-Performing Aluminium Windows

*Please note: All opening windows are internally glazed. All fixed panes are externally glazed, with the option of a dummy sash for internal glazing.

10 Year
Guarantee

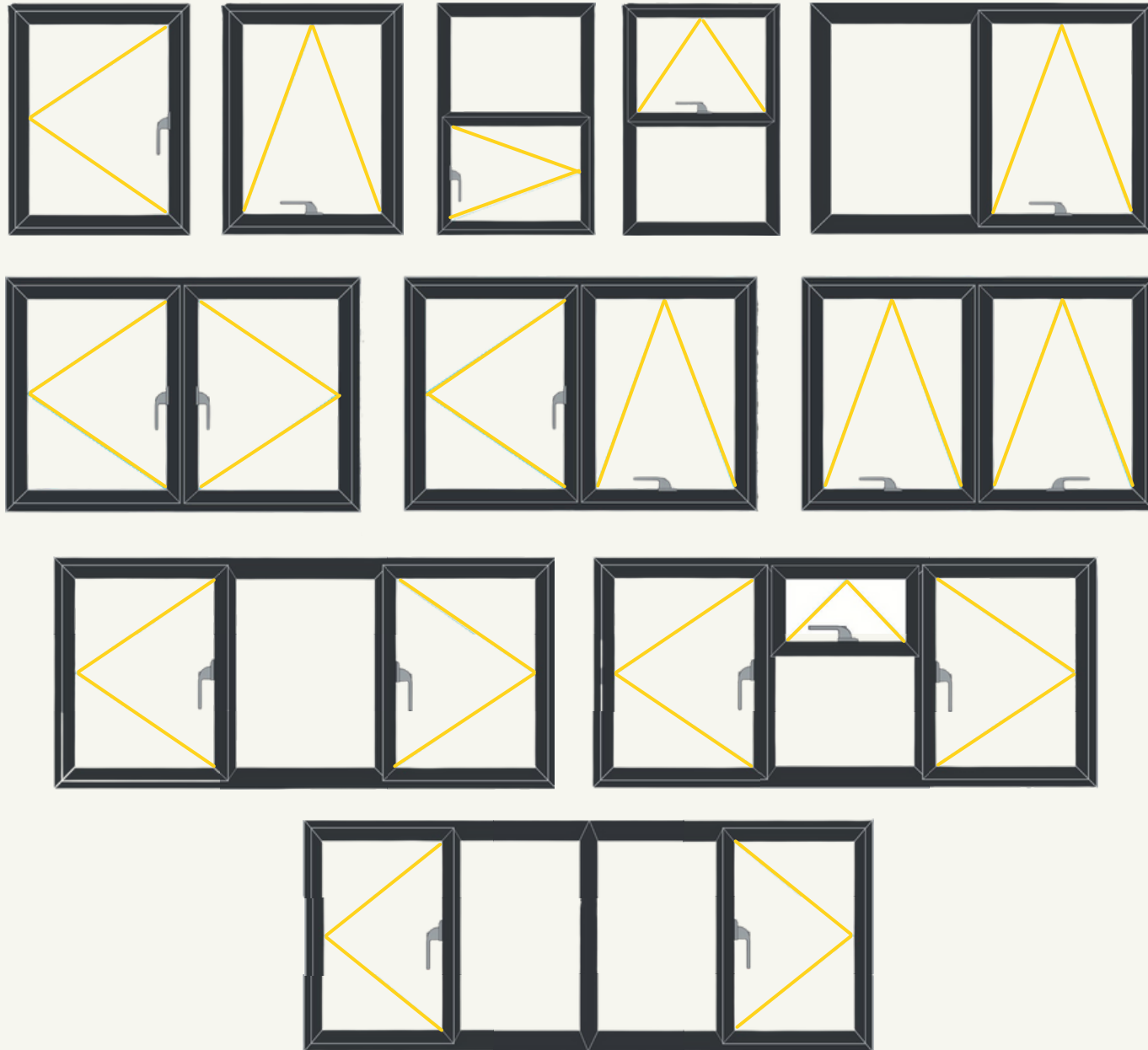
Manufactured
in the UK

Super-slim
sash options



Configurations

Our aluminium windows are so versatile that they can also be used as sidelights to couple to our bifold system with the standard outer frame. With a huge range of configuration options, there are endless ways to design your perfect windows.



Create your perfect Window

Hardware

The Mila handle comes in 6 finishes and features an ergonomic design for ease of use. It includes a high-security locking system, tested up to 50,000 cycles, and comes with a 10-year guarantee.



Types of Glazing

Choose from our many glazing options:

- Double Glazing
- Triple Glazing
- Laminated Glass
- Low E & Ultra-Low E Glazing
- Patterned Glass
- Solar Control Glass
- Blinds in Glass

10 Year
Guarantee

PAS24:2022
Compliant

Super-slim
sash

Colours

Our windows are available in three standard colours, plus two dual-colour options.

For projects requiring bespoke coloured windows, any RAL colour can also be available upon request.



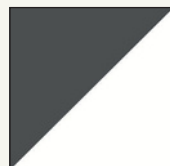
White
RAL 9016



Grey
RAL 7016



Black
RAL 9005



Grey Out/
White In



Black Out/
White In



Bespoke RAL
Colour

Maximum Vision

Minimise visible framework with our super-slim sash option, available for both standard and flush sash. Enjoy large expanses of glass with large sash sizes and multiple configurations, making the most of natural light in your property.

Eco-friendly Solutions

Aluminium windows offer an eco-friendly advantage because of their recyclability. Installing aluminium products in your home supports a sustainable cycle where the materials can be repurposed at the end of their lifespan.

Low Maintenance

Our aluminium windows are known for their low maintenance upkeep and high durability. Unlike timber, they don't need painting or staining to keep them weatherproof, and they won't rust or corrode. They will also never rot, peel or flake.

Weather Resistance

Excellent weather sealing is achieved using specially designed perimeter seals, with the option of weather piles for lower thresholds.

Weather-tightness is tested to British standards.

Technical Information

At Value Doors & Windows, our windows are made to your bespoke requirements. From choosing the sash style and profile options to the frame colour and configuration option, you'll surely find the perfect style.

Take a look at the technical information to discover your bespoke fit.

Typical sizes (standard)	(W)	(H)
Top Hung	1500mm	1500mm
Side Hung	900mm	1500mm
Energy Rating	A	

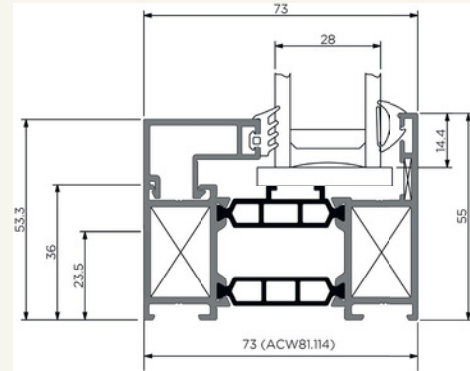
Technical Details at a Glance:

- Flush sash & slim profile options
- Can be used as sidelights to our bifold door system
- Maximum security – PAS24:2022 compliant
- Maximum insulation value – as low as 1.4 U W/m²K.
- Maximum weatherproofing for long-lasting durability
- Single or dual colour- factory powder coated to marine quality as per Qualicoat regulations
- Energy rated A as standard- improved thermal performance
- Top hung / side hung options with endless configuration options
- Perfectly complements other aluminium products for a cohesive look

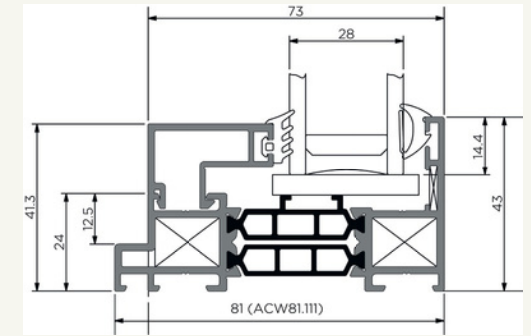


Window Section Details

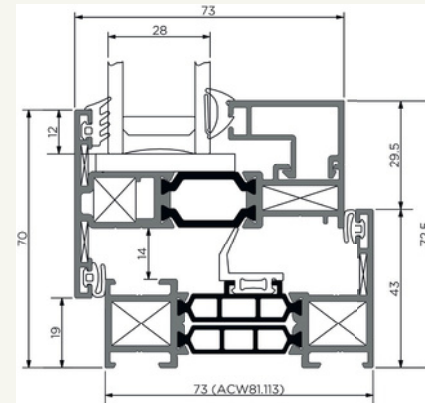
Average Glazing U-values	
Residential CEN Standard (Double Glazed)	
Residential CEN Standard (Triple Glazed)	
Glazing	
Glass Thickness	28mm
Profile	
Window Type	Standard/Flush
Visible Sightline Frame/Sash	70 or 82mm
Max Weight Top Hung	50kg
Max Weight Side Hung	40kg
Air Permeability	600PA
Water Tightness Top Hung	1500PA
Water Tightness Side Hung	450PA
Wind Load Resistance	2000PA



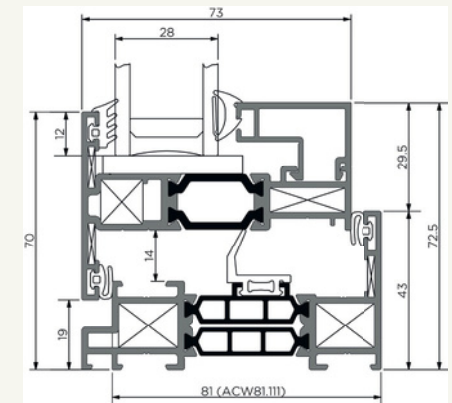
Fixed Pane Standard Frame- Externally Glazed



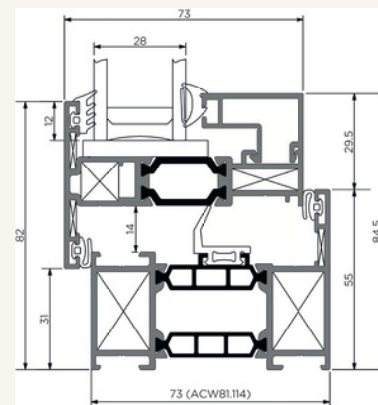
Fixed Pane Slim Flush Frame- Externally Glazed



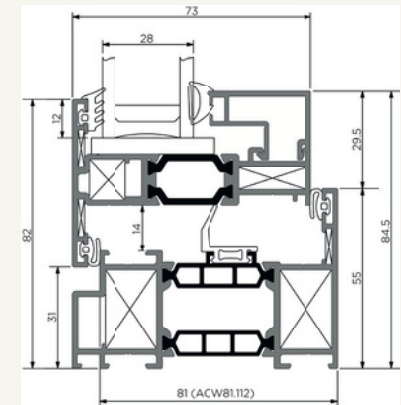
Slim Standard Outer Frame



Slim Flush Outer Frame

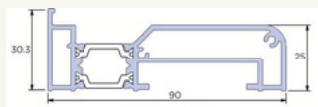


Standard Outer Frame

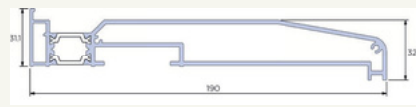


Standard Flush Outer Frame

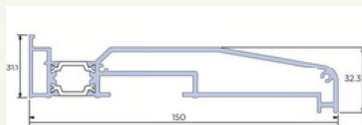
CILL OPTIONS



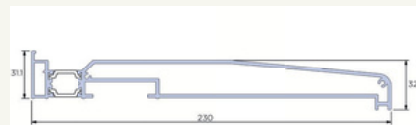
90mm Cill



190mm Cill



150mm Cill



230mm Cill

Frequently asked questions...

Q: What's the difference between aluminium & uPVC windows?

Each type of window comes with its own set of advantages. Aluminium windows are known for their durability and longevity, whereas uPVC windows are known for their affordability. Both are energy efficient, whereas aluminium is often a premium choice for both modern and traditional properties.

Q: What design options can I choose from?

Our aluminium windows are fully customisable, with colour and frame style being the main design choices. With flush sash options and additional design features like astragal bars, the windows are extremely versatile in design.

Q: Are aluminium windows energy efficient?

Yes, our aluminium windows are extremely energy efficient, achieving energy rating A as standard. The windows have a thermally-broken design, ensuring the comfort of your home is the priority, keeping the property warm in winter and cool in summer.

Q: Do aluminium windows require lots of upkeep?

No, aluminium windows are actually known for their incredible durability and low maintenance. Just simple cleaning with warm water and a damp cloth, as often as regular household cleaning, is all you need to keep your windows looking as good as new for years to come.

Q: Are aluminium windows durable?

Yes, aluminium windows are one of the most durable types of windows on the market. Unlike timber, they don't need painting or staining to keep them weatherproof, and they won't rust or corrode. They will also never rot, peel or flake.



Other Products



About us



Ordering fully fitted doors and windows online, as well as supply-only options, used to be non-existent. The traditional process of getting a quote and waiting for someone to call you is outdated. We have invested in state-of-the-art technology to provide customers with online prices for fully fitted windows and doors, with coverage across the UK. So, instead of filling in your details online and waiting for a call for a quote, consider this: Value Doors & Windows has the technology that others only dream about. We've revolutionized the process and we're not done yet.

Accreditations



Reg: 42711

FENSA aims to enhance installer professionalism and safeguard homeowners by thoroughly screening installers and ensuring compliance with high standards, energy-efficient products, building regulations, and local council registration where necessary.



Reg: A3404

The GGF, or Glass and Glazing Federation, provides industry training and technical support. Value Doors is a proud member of this federation. For over 40 years, the GGF has been the leading trade federation in the industry, with 8000 members recognizing its influence and expertise.



Value Doors & Windows is fully accredited by Trustmark, a government-endorsed quality scheme for work in or around your home, giving you peace of mind.



We offer a long guarantee for your satisfaction. In the unlikely event of our business closure, Installsure will cover any outstanding warranties, providing you peace of mind.



At Value Doors & Windows, we are dedicated to environmental sustainability. For every order, including cancellations, we plant a tree in deforestation-risk areas, such as Brazil, Haiti, Peru, Indonesia, and Ethiopia. Our products, especially doors, contain timber, and we are committed to giving back to the planet. Through TheTreeApp, we contribute to reforestation efforts, benefiting the environment and improving the lives of people in these areas by providing employment and income opportunities.



WWW.VALUEDOORS.CO.UK | PHONE 020 4587 8300

